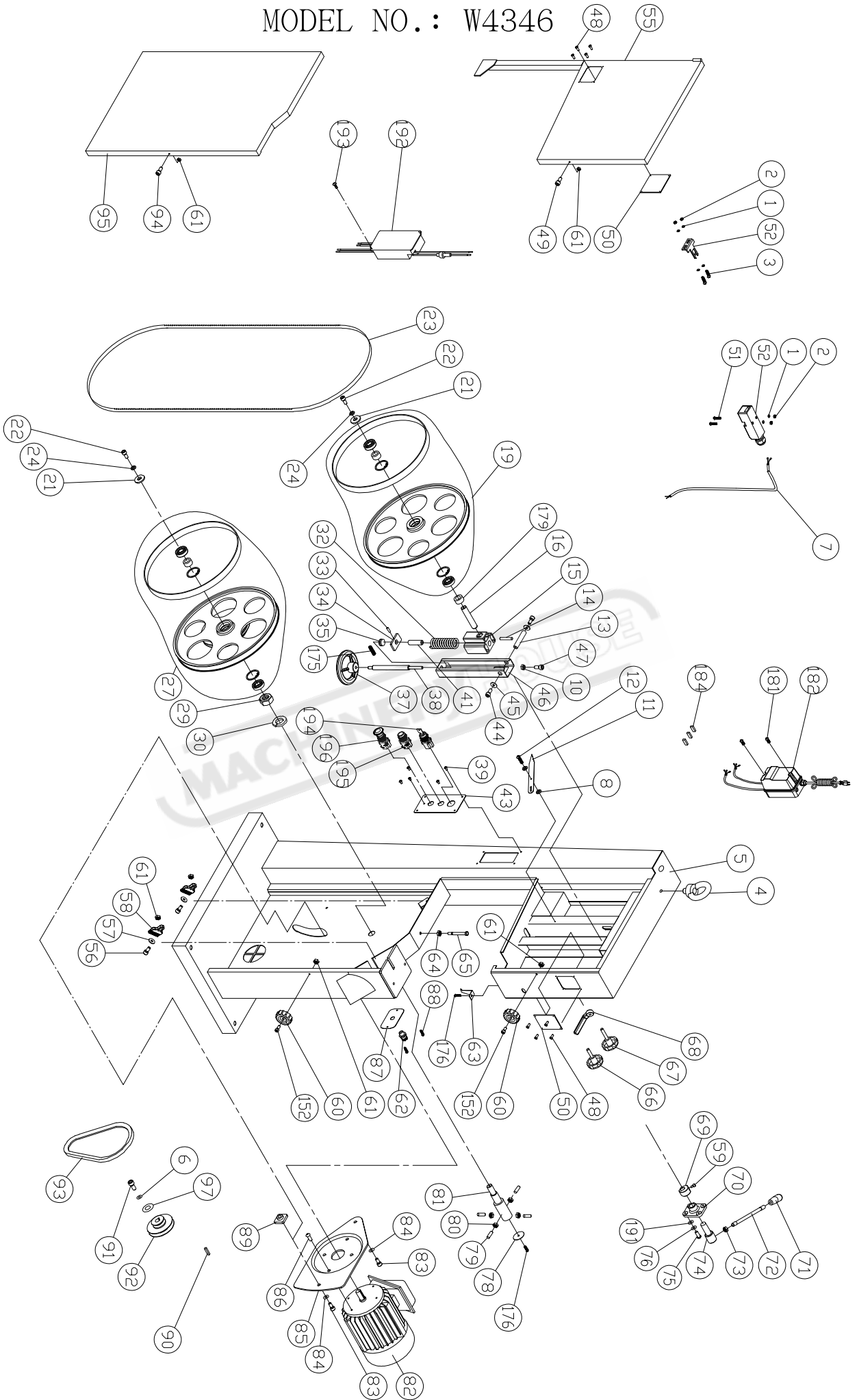
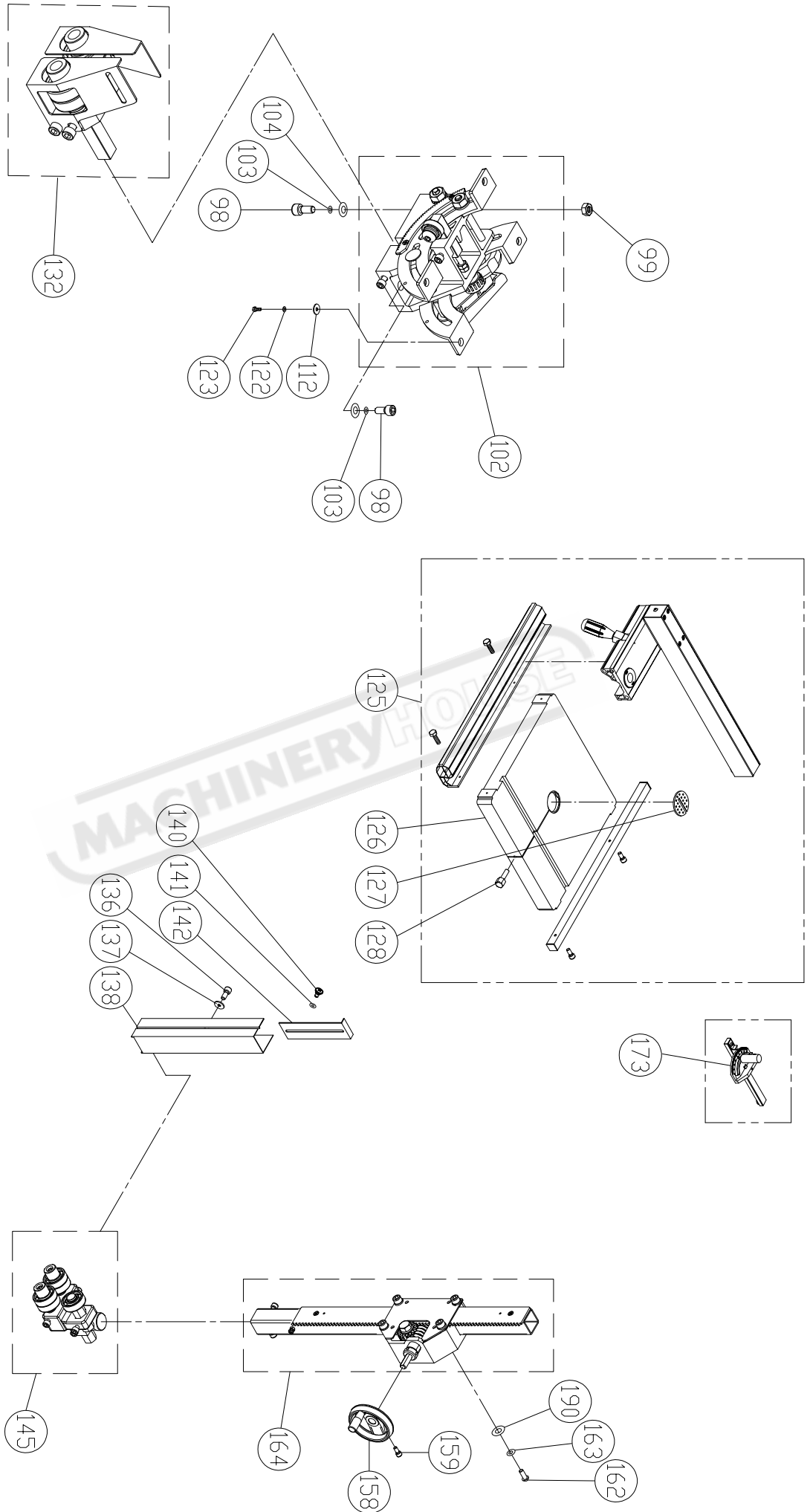


# 7. PART LIST MODEL NO. : W4346





ITEM	PART NO	DESCRIPTION	SIZE	Q`TY
1	WF040808	FLAT WASHER	M4x $\psi$ 8	6
2	NH040700	NUT	M4	4
3	SP040200	PAN HEAD SCREW	M4x8	2
4	995101	RING	M10	1
5	136121V	MACHINE BODY		1
6	WS080000	SPRING WASHER	M8	1
7	IC135040	SWITCH CORD		1
8	WF061310	FLAT WASHER	M6x $\psi$ 13	2
10	NH061000	NUT	M6	1
11	135040	POINTER		1
12	135073	STEP SCREW		1
13	135012	UPPER SHAFT		1
14	PS053600	SPRING PIN	$\psi$ 5x36	1
15	135017	UPPER WHEEL SHAFT HINGE		1
16	135066	UPPER WHEEL SHAFT		1
19	AB136024T-PU	UPPER WHEEL	$\psi$ 19"	1
21	WF083030	FLAT WASHER	M8x $\psi$ 30	2
22	SR089400	HEX SOCKET BOLT	M8x16	2
23	136010	SAW BLADE	6PTI /143"/3632.2 $\pm$ 4.2x3/4"x0.5mm	1
24	WS080000	SPRING WASHER	M8	2
27	AB136022T-PU	LOWER WHEEL	$\psi$ 19"	1
29	NH633801	NUT	1"-14 UNF	1
30	WS630000	SPRING WASHER	1"	1
32	135032	SPRING		1
33	PS031600	PIN	$\psi$ 3x16	1
34	135042	LOCATE BLOCK		1
35	994301	BEARING	51201	1
37	135002	HANDLE WHEEL		1
38	136007	ADJUSTING BOLT		1
39	SF050200	PAN HEAD BOLT W/FLANGE	M5x10	4

ITEM	PART NO	DESCRIPTION	SIZE	Q`TY
41	135067	BUSHING		1
43	136369U	SWITCH PLATE		1
44	SR089400	HEX SOCKET BOLT	M8x16	2
45	WF083030	FLAT WASHER	M8x $\psi$ 30	2
46	135016	UPPER WHEEL SLIDING BRACKET		1
47	SR061000	HEX SOCKET BOLT	M6x50	1
48	BR000041	RIVET	$\psi$ 3.2x6	8
49	SR060200	HEX SOCKET BOLT	M6x10	1
50	135004	LIMPID PIECE		2
51	SF040700	PAN HEAD BOLT W/FLANGE	M4x35	2
52	136457	DOOR LATCH SWITCH(ASM)	AZD-S11	1
55	136122U	UPPER WHEEL COVER		1
56	SH060500	HEX HEAD BOLT	M6x25	2
57	WF061310	FLAT WASHER	M6x $\psi$ 13	2
58	135051	BRUSH		2
59	SR060500	HEX SOCKET BOLT	M6x25	1
60	135041	KNOB		2
61	NL061000	NYLON NUT	M6	6
62	136013	STRAIN RELIEF		3
63	135011	HEIGHT POINTER		1
64	NH081300	NUT	M8	1
65	SH081800	HEX HEAD BOLT	M8x90	1
66	135022	KNOB SCREW		1
67	135020	KNOB SCREW		1
68	135028	LOCATE HANDLE	M10	1
69	135030	CAM		1
70	135038	LOCATE BLOCK		1
71	620021	KNOB		1
72	620020	LEVER ROD		1
73	NH121900	NUT	M12	1

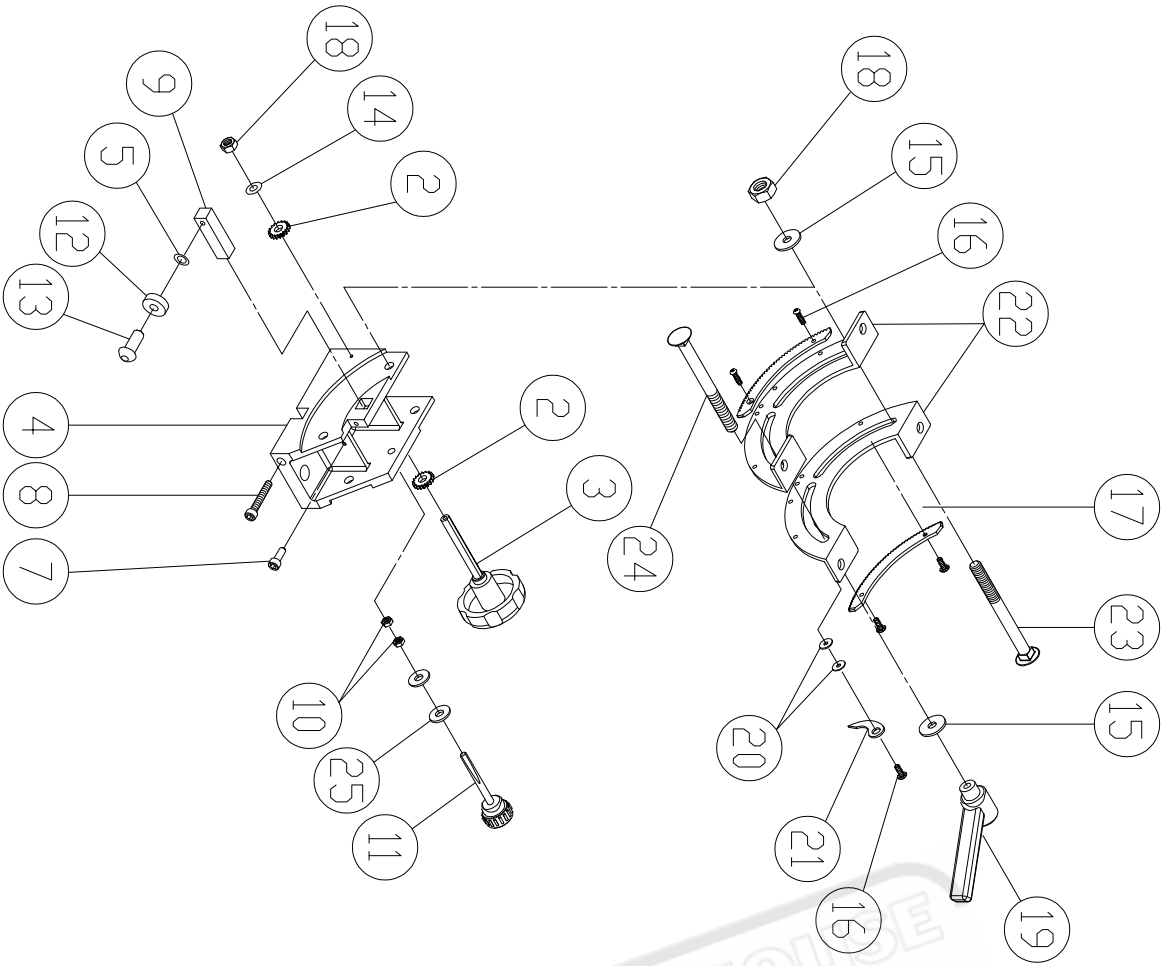
ITEM	PART NO	DESCRIPTION	SIZE	Q`TY
74	135036	SHAFT		1
75	SJ080400	HEX SOCKET BOTTOM HEAD SCREW	M8x20	4
76	WS080000	SPRING WASHER	M8	4
78	135013	COVER		1
79	SS080400	SET SCREW	M8x20	4
80	NH081300	NUT	M8	4
81	135005	LOWER WHEEL SHAFT		1
82	ABMH135020F	MOTOR	1.5KW(8A)1PH 50HZ 240V	1
83	SR100500	HEX HEAD BOLT	M10x25	2
84	WS100000	SPRING WASHER	M10	2
85	135064	MOTOR BRACKET		1
86	SJ080400	HEX SOCKET BOTTOM HEAD SCREW	M8x20	4
87	136475	PLATE		2
88	SF050200	PAN HEAD BOLT W/FLANGE	M5x10	2
89	135065	LOCATE BLOCK		1
90	KS050535	KEY	5x5x35	1
91	SH080402	HEX HEAD BOLT	M8x20(L.H)	1
92	135008T	MOTOR PULLEY		1
93	LA420000	V-BELT	A42	1
94	SR060200	HEX SOCKET BOLT	M6x10	1
95	136123U	LOWER WHEEL COVER		1
97	WF083030	FLAT WASHER	M8x30	1
98	SR100700	HEX SOCKET BOLT	M10x35	2
99	NH101700	NUT	M10	1
102	AB135021	TRUNNION SUPPORT BRACKET(ASM)		1
103	WS100000	SPRING WASHER	M10	2
104	WF102325	FLAT WASHER	M10xψ23	2
112	WF081820	FLAT WASHER	M8xψ18	4
122	WS080000	SPRING WASHER	M8	4
123	SH089400	HEX HEAD BOLT	M8x16	4

ITEM	PART NO	DESCRIPTION	SIZE	Q`TY
125	AB198006	18" FENCE SET		1
126	136004U	TABLE	19"x19"	1
127	135010	TABLE INSERT		1
128	100038	TABLE PIN		1
132	AB135095B	LOWER BLADE GUIDE SUPPORT		1
136	SR050200	HEX SOCKET BOLT	M5x10	2
137	WF051210	FLAT WASHER	M5x $\psi$ 12	2
138	135034	PROTECT COVER(ASM)		1
140	135073	STEP SCREW		1
141	135054	FIBER WASHER	$\psi$ 13x6x1.2	1
142	135037	SLIDING PLATE		1
145	AB135092	UPPER BLADE GUIDE SUPPORT		1
152	SR060400	HEX SOCKET BOLT	M6x20	2
158	135006	HANDLE WHEEL		1
159	SR060400	HEX SOCKET BOLT	M6x20	1
162	SJ080400	HEX SOCKET BOTOM HEAD SCREW	M8x20	4
163	WS080000	SPRING WASHER	M8	4
164	AB135050	GUIDE BRACKET(ASM)		1
173	AB198101	MITER GAUGE ASS'Y		1
175	SS069300	SET BOLT	M6x10	1
176	SF050200	PAN HEAD BOLT W/FLANGE	M5x10	2
179	612112	BUSHING		1
181	SF050200	PAN HEAD BOLT W/FLANGE	M5x10	2
182	ABID320711-E	MAGNETIC SWITCH	1.5KW/3PH/50HZ/415V+2A	1
184	136019	WIRE CONECTOR	224-201	3
185	SF059300	PAN HEAD BOLT W/FLANGE	M5x12	1
186	SH069340	HEX HEAD BOLT	M6x12	1
190	WF081818	FLAT WASHER	M8x $\psi$ 18	4
191	WF081820	FLAT WASHER	M8x $\psi$ 18	4
192	136374	FIRM ELECTRONIC IC	DC90V	1



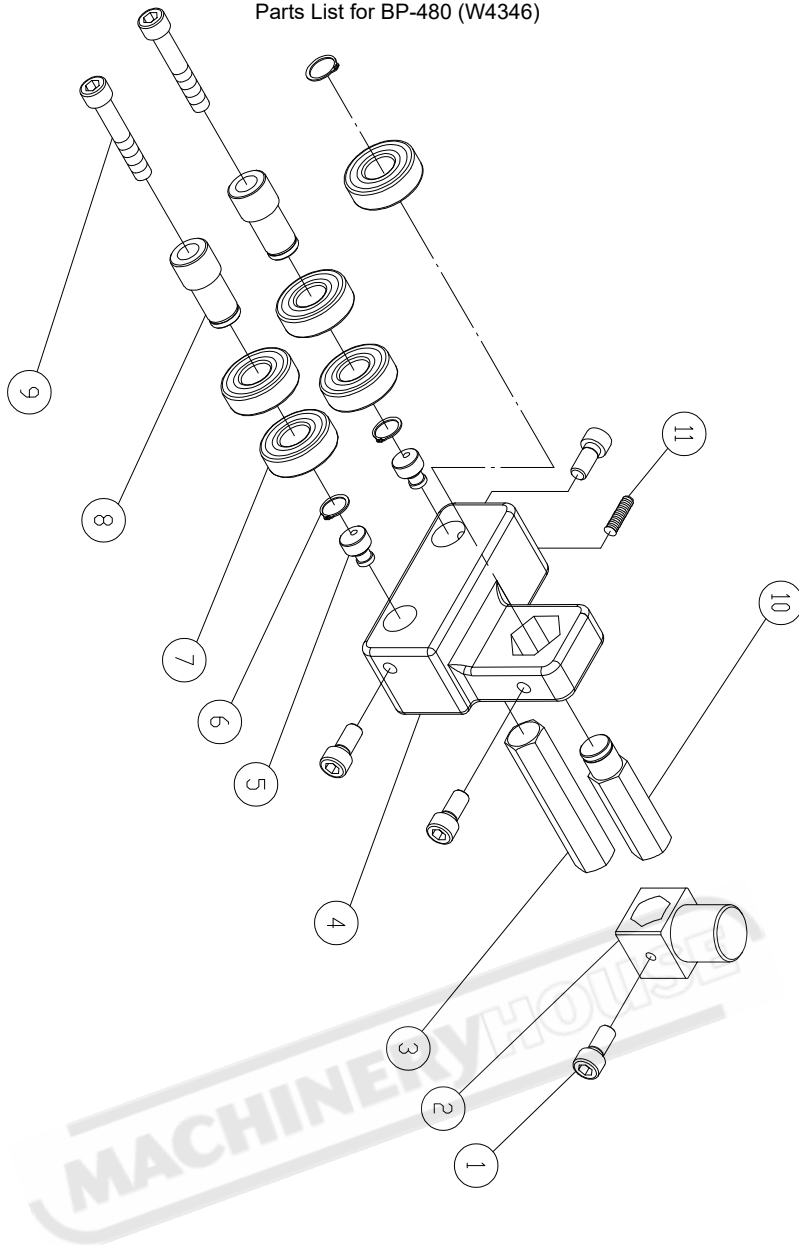






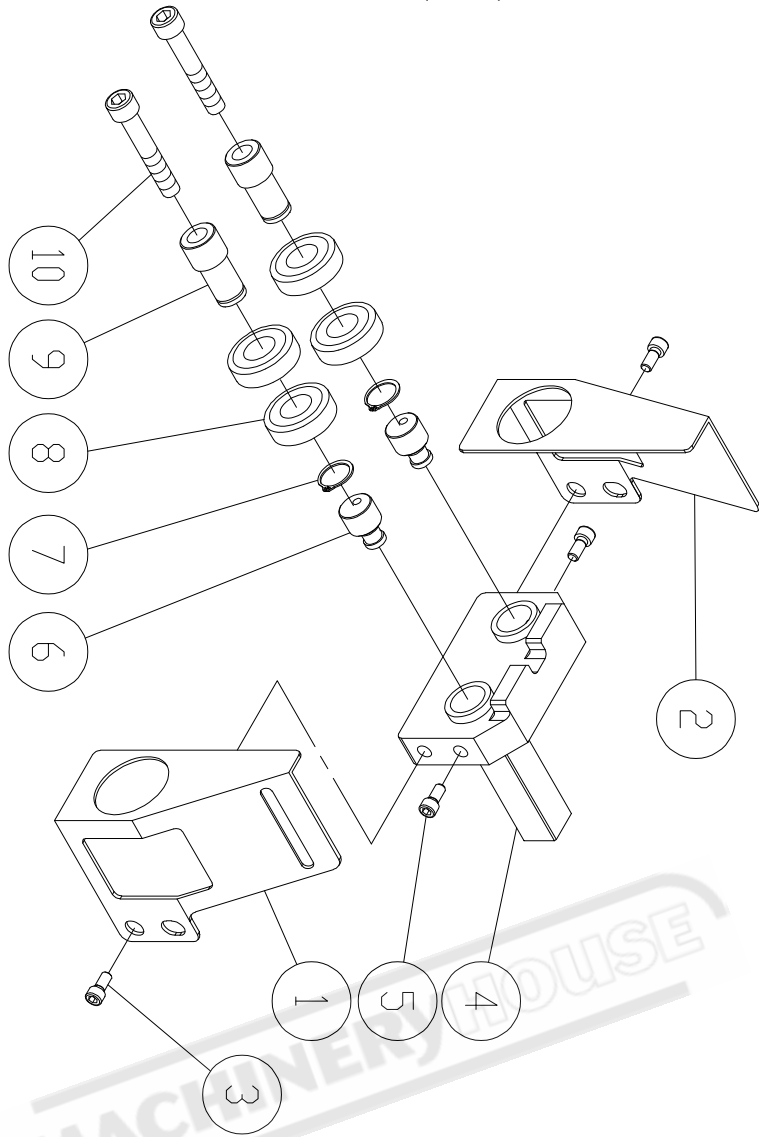
**MODEL NO.:W4346**  
**PART NO.: AB135021 TRUNNION SUPPORT BRACKET (AMS)**

Item	Part ID	Description	Size	Qty
25	WF061310	FLAT WASHER	M6xØ13	2
24	SC081700	CARRIAGE BOLT	M8x85	1
23	SC081600	CARRIAGE BOLT	M8x80	1
22	135025	TRUNNION PLATE		2
21	135078Y	POINTER		1
20	WF040808	FLAT WASHER	M4xØ8	2
19	135044	HANDLE	M8x25	1
18	NL081300	NYLON NUT	M8	2
17	135052	GEAR PLATE		2
16	SP049100	PAN HEAD BOLT	M4x6	5
15	WF081820	FLAT WASHER	M8xØ18	2
14	WS080000	SPRING WASHER	M8	1
13	SJ100400	HEX SOCKET BOTTOM HEAD SCREW	M10x20	1
12	BB60002A	BALL BEARING	6000ZZ	1
11	135009	ADJUST BAR		1
10	NH061000	NUT	M6	2
09	135045	ADJUST BLDCK		1
08	SR061000	HEX SOCKET BOLT	M6x50	1
07	SR060400	HEX SOCKET BOLT	M6x20	1
05	WF102010	FLAT WASHER	M10xØ20	1
04	135021	TRUNNION SUPPORT BRACKET		1
03	135063	KNDB		1
02	135061	SMALL GEAR		2



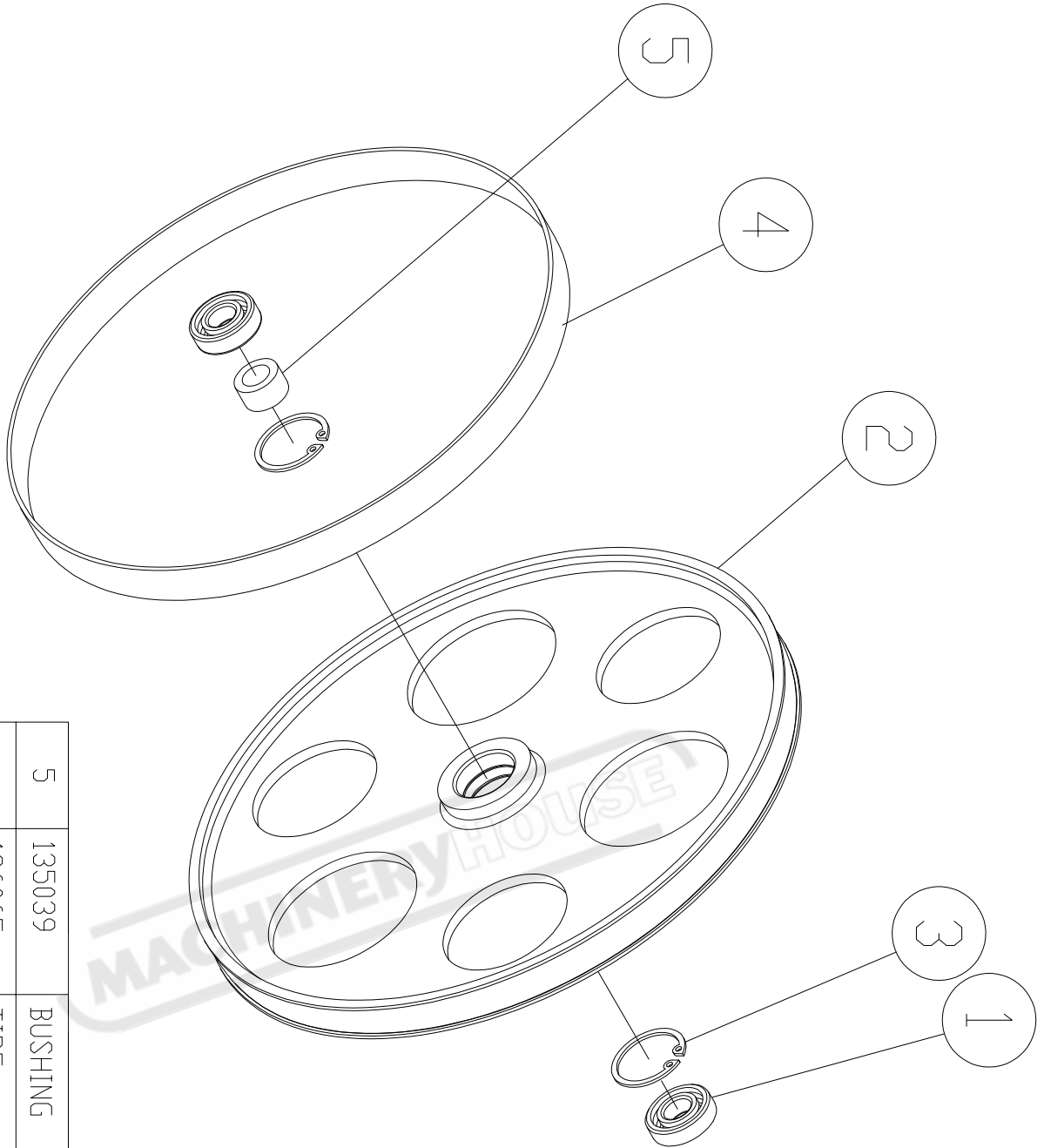
Item	Part ID	Description	Size	Qty
1	SR069400	HEX SOCKET BOLT	M6x16	4
2	135057	UPPER GUIDE SUPPORT BLOCK		1
3	135053	ADJUST BAR		1
4	135091	UPPER BLADE GUIDE SUPPORT		1
5	135124	BIAS SHAFT		2
6	RS150000	RING	S15	3
7	BB620202A	BALL BEARING	6202ZZ	5
8	136445	HANDLE BUSHING		2
9	SR060703	HEX SOCKET BOLT	M6x35	2
10	135060	UPPER SPACING SLEEVE		1
11	SS060200	SET BOLT	M6x10	1

MODEL NO.:W4346  
 PART NO.:AB135092  
 UPPER BLADE GUIDE SUPPORT (ASM)



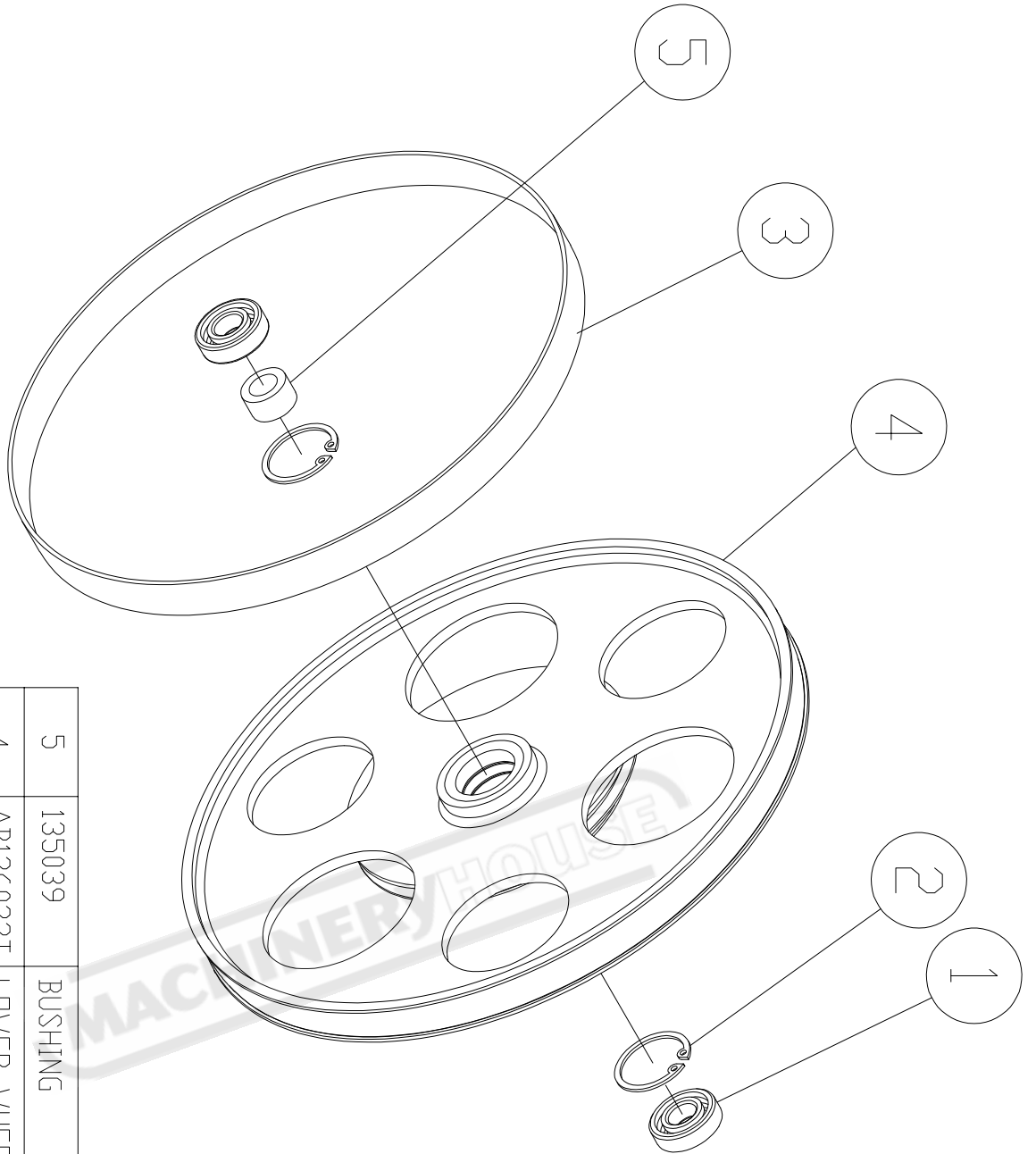
**MODEL NO.: W4346**  
**PART NO.: AB135095B**  
**UPPER BLADE GUIDE SUPPORT (ASM)**

Item	Part No	Description	Size	Qty
1	135272	RIGHT COVER		1
2	135273	LEFT COVER		1
3	SR060200	HEX SOCKET BOLT	M6x10	2
4	135274	LOWER BLADE GUIDE SUPPORT		1
5	SR069400	HEX SOCKET BOLT	M6x16	2
6	135124	BIAS SHAFT		2
7	RS150000	RETAINING RING	S15	2
8	BB620202A	BALL BEARING	6202ZZ	4
9	136445	HANDLE BUSHING		2
10	SR060700	HEX SOCKET BOLT	M6x35	2



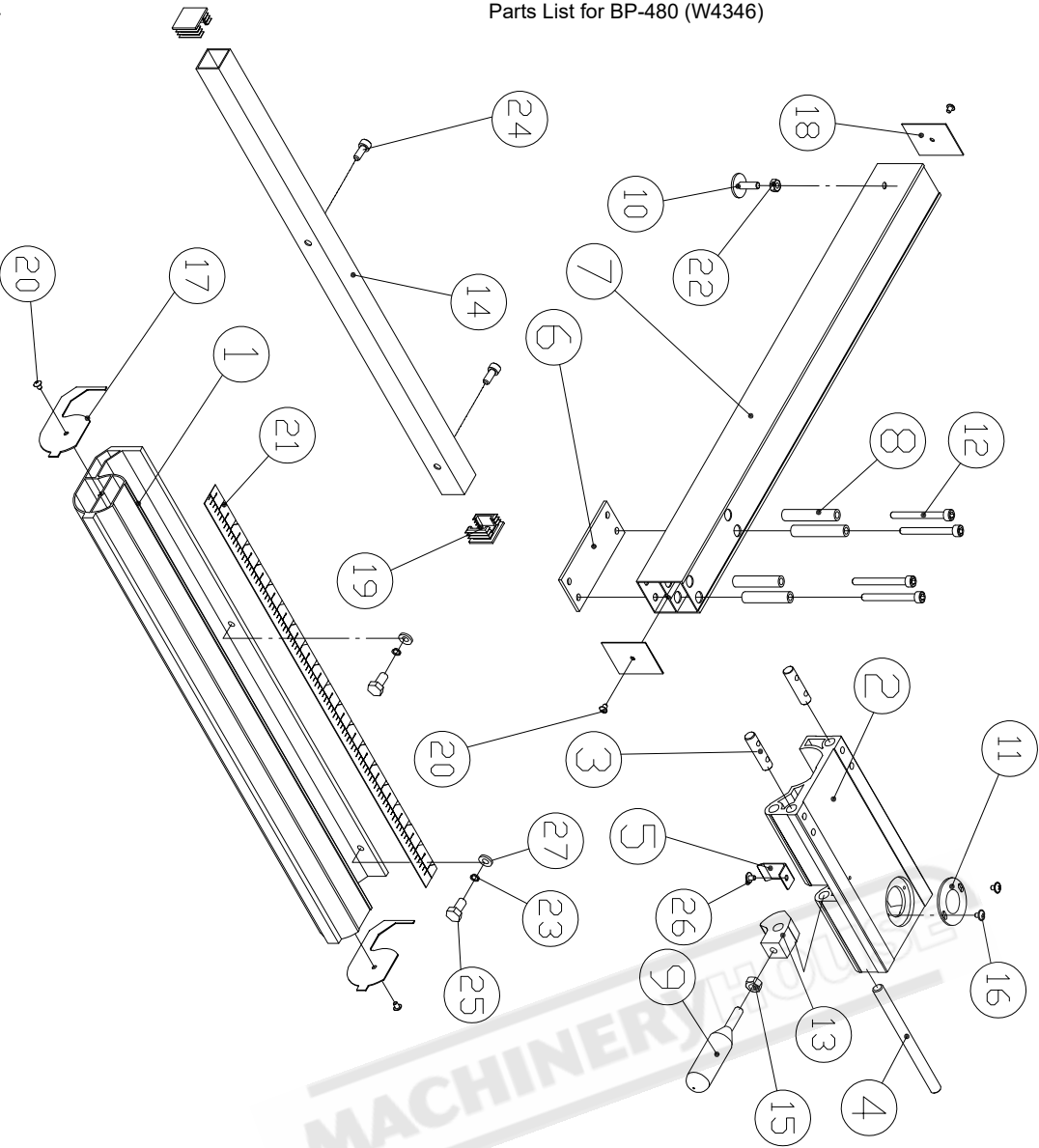
MODEL NO.:W4346  
 PART NO.:AB136024T-PU  
 UPPER WHEEL (ASM)

Item	Part ND	Description	Size	Qty
5	135039	BUSHING		1
4	136065	TIRE		1
3	RR470000	RETAINING RING	R47	2
2	136024T	UPPER WHEEL		1
1	BB620403	BALL BEARING	6204LLU	2



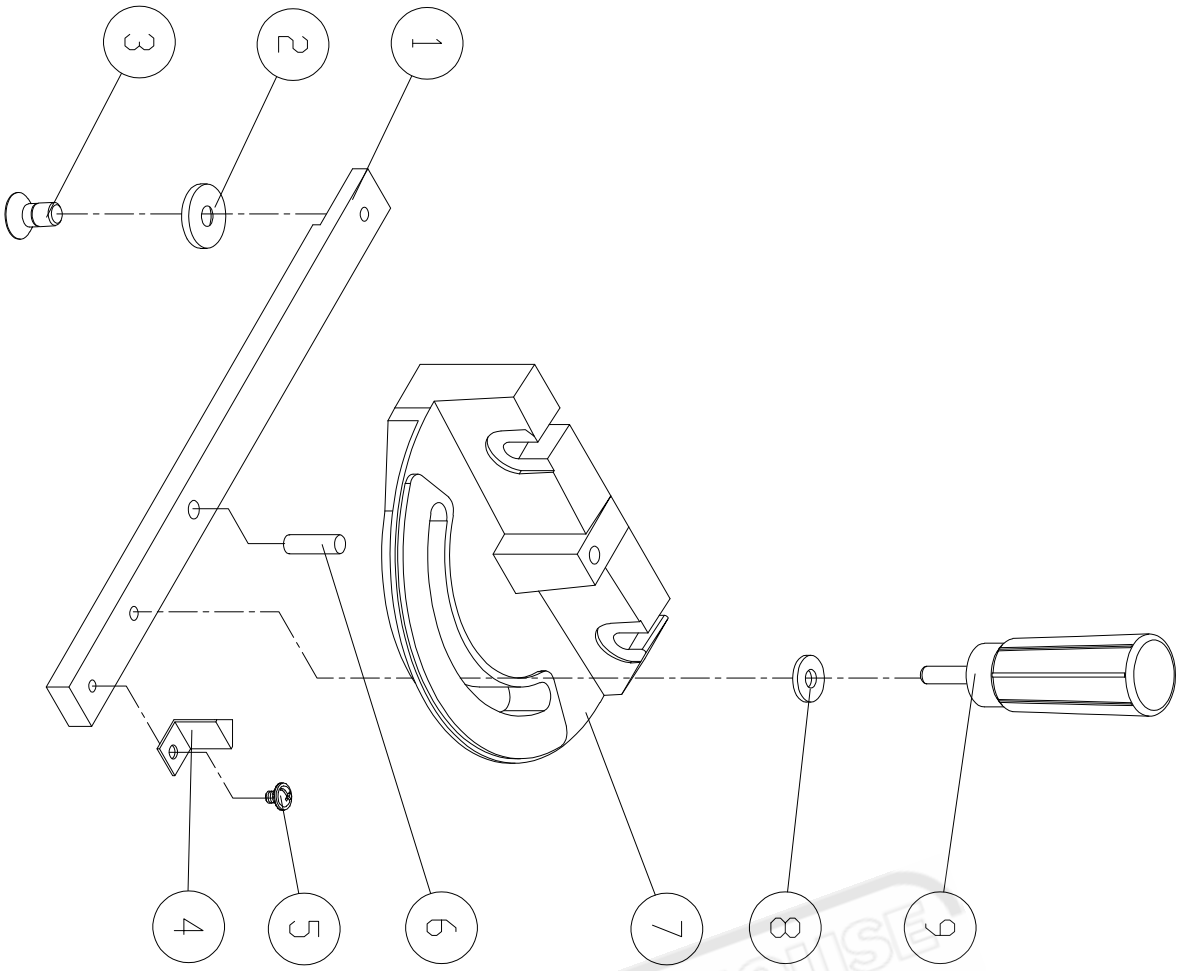
MODEL NO.:W4346  
 PART NO.:AB136022T-PU  
 LOWER WHEEL (ASM)

Item	Part ID	Description	Size	Qty
5	135039	BUSHING		1
4	AB136023T	LOWER WHEEL ASM		1
3	136065	TIRE		1
2	RR470000	RETAINING RING	R47	2
1	BB620403	BALL BEARING	6204LLU	2



MODEL NO.: W4346  
 PART NO.: AB198006  
 FENCE SET

Item	Part No	Description	Size	Qty
01	198022	FIXED BASE	710	1
02	198002	ADJUST BASE		1
03	198003	FIXED SHAFT		2
04	198005	SHAFT		1
05	198006	SPRING WASHER		1
06	198008	BRACKET	T=3	1
07	198025	SUPPORT TUBE	640	1
08	198017	INTERVAL SHEATH		4
09	198013	HANDLE		1
10	198012	ADJUST SCREW		1
11	198007	CONVEX		1
12	SR062000	HEX SOCKET BOLT	M6x100	4
13	198004	FIXED LUMP		1
14	198023	SQUARE TUBE	710	1
15	NH081300	NUT	M8	1
16	SF049100	PAN HEAD BOLR W/FLANGE	M4x6	2
17	198014	GUARD PIECE		2
18	198030	GUARD PIECE		2
19	198016	PLUGGED		2
20	ST039300	TAPPING SCREW	M3.5x12	4
21	LM000539	SCALE		1
22	NH061000	NUT	M6	1
23	WS060000	SPRING WASHER	M6	2
24	SR069400	HEX SOCKET BOLT	M6x16	2
25	SH060400	HEX HEAD BOLT	M6x20	2
26	SF049200	PAN HEAD BOLR W/FLANGE	M4x8	1
27	WF061310	FLAT WASHER	M6x13	2



**MODEL NO.:W4346  
PART NO.:AB198101  
MITER GAUGE ASSY**

Item	Part NO	Description	Size	Qty
09	198105	HANDLE		1
08	198104	NYLON WASHER		1
07	198106	MITER GAUGE BODY		1
06	198107	STEEL PIN	ø6.5x10	1
05	SF059200	PAN HEAD BOLT W/FLANGE	M5x8	1
04	198103	POINTER		1
03	SN069200	COUNTER SUNK BOLT	M6x6	1
02	198102	GUIDE PIECE		1
01	198101	GUIDE BAR		1